



UTTERMOST

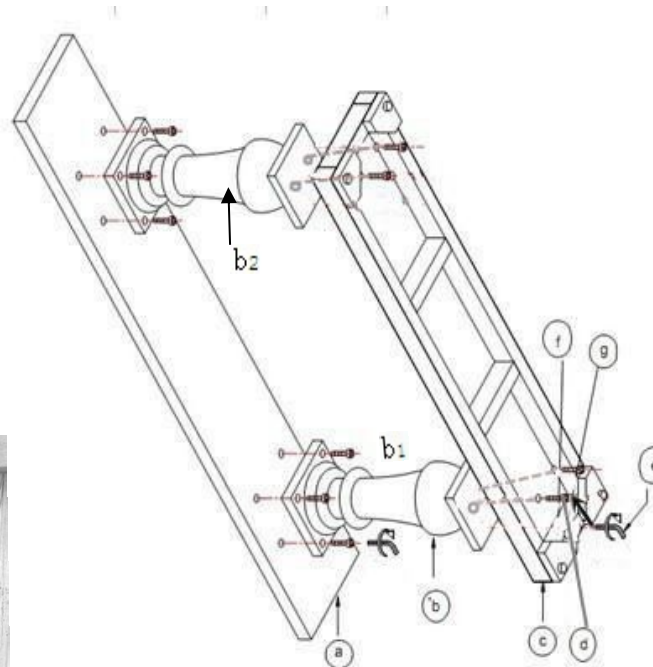
Assembly Instruction

ITEM NO.: 24250

Parts list

a	table top	1pc
b1	table leg	1pc
b2	table leg	1pc
c	table bottom	1pc

d	bolt	14pcs (2")
e	wrench	1pc
f	washer	14pcs
g	spring washer	14pcs



1. Take the parts carefully out of carton, and then place them on a flat and soft surface, making sure that parts will not be damaged. When assembling install all bolts before securing any one bolt.

2. Place the table top (a) on a flat and soft surface, then put table leg (b1) (b2) on the table top (a), need mark H of the legs match the table bottom, make sure the legs top three holes position as the (P2, P3), then install all bolt (d) and small washer (f), spring washer (g) but don't tight.

3. Put the table bottom (c) on the legs and install bolt (d) and bigger washer (f), spring washer (g) then tight all bolt with wrench (e).

4. Turn over the table and the assembly is

To Clean, wipe with soft dry cloth.